



# CIRCLED

---



LED MAGNIFIER LUMINAIRE

---



**CIRLED** is a LED magnifier luminaire suitable for countless fields of application. Ideal for each use where light and clearness of details are needed it can be used in the medical, dental, dermatologic and cosmetic sector. It is a perfect tool for an accurate control of details.



**CIRCLELED** is supplied with biconvex magnifier made of scratch-resistant optical glass with a diameter of 120 mm and a magnification of 3 diopters (5 on demand).

The 7 new generation LEDs with an average life cycle of about 50.000 hours provide an optimal lighting with a considerable costs decrease in terms of power consumption and maintenance.

LEDs produce a white IR-free light without heat that does not change colours and can be used for several purposes.

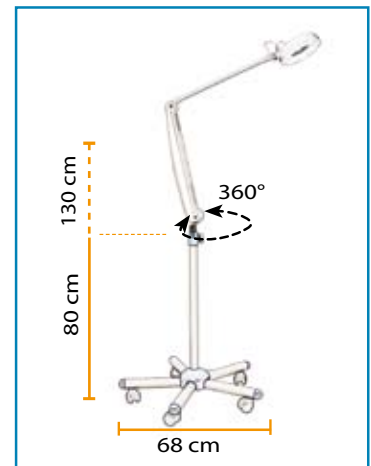
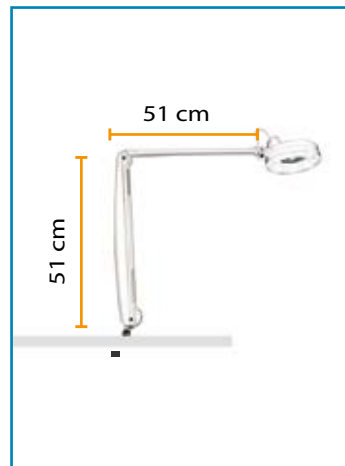


**CIRCLELED** is easy to be moved and positioned and has a simple and functional design. Its arm is strong and light at the same time and gives stability to the magnifier once positioned avoiding its lowering. Test has pointed out that even after more than

20.000 movings there is no wear and tear of the materials hence the light head remains in the desired position over the years.

**CIRCLELED** is easy to be used and its on/off switch is placed in the rear part of the arm.

• **CIRCLELED** is available in the following versions



• Wall mounted

• Table mounted

• Adjustable height trolley

### TECHNICAL FEATURES

Class (MDD 93/42/EEC)	I
LED average life	50.000 hours abt
Voltage	90 - 240V – 50/60 Hz
Power consumption	20W
Light head diameter	23 cm
Magnifier diameter	12 cm
Magnifier	3 diopters (5 on demand)
Light head weight	1 kg
Trolley weight	3 kg
Painting	White RAL 9002/9010

E. & O.E



**ACEM SpA**  
**Medical Company Division**  
 Via della Tecnica 29 - 40050 Argelato  
 Bologna – ITALY  
 Ph +39 051 721844 Fax +39 051 721855  
 info@acem.it www.acem.it



Acem Medical Company is a registered trademark of Acem S.p.A. All rights reserved

ACEM reserves the right to modify the design and specifications contained herein without any prior notice.

Dep.CIRCLELED.EN rev.2016-01